

# Makita

AMERICA

## Jig Saw

**MODEL 4304**

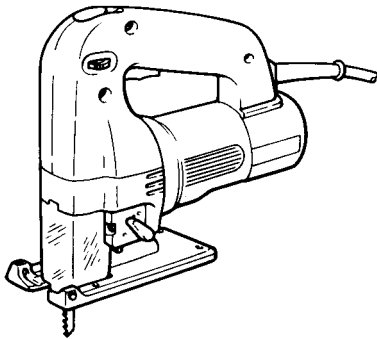
Variable Speed

**MODEL 4305**

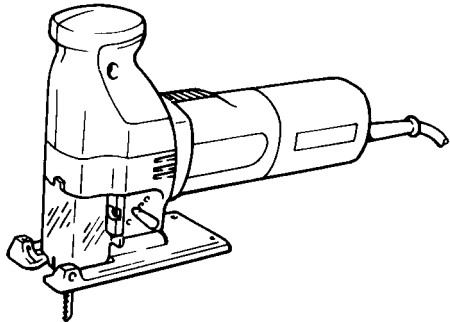
Variable Speed

### INSTRUCTION MANUAL

**4304**



**4305**



**DOUBLE  
INSULATION**

### SPECIFICATIONS

Model	Length of stroke	Max. cutting capacities			Strokes per minute	Overall length	Net weight
		Wood	Mild steel	Aluminum			
4304	26 mm (1")	135 mm (5-5/16")	10 mm (3/8")	20 mm (13/16")	500 - 3,000	249 mm (9-3/4")	2.3 kg (5.1 lbs)
4305						285 mm (11-1/4")	

\* Manufacturer reserves the right to change specifications without notice.

• Note: Specifications may differ from country to country.

**WARNING:** For your personal safety, READ and UNDERSTAND before using.

SAVE THESE INSTRUCTIONS FOR FUTURE REFERENCE.

# GENERAL SAFETY RULES

(For All Tools)

**WARNING! Read and understand all instructions.** Failure to follow all instructions listed below, may result in electric shock, fire and/or serious personal injury.

## SAVE THESE INSTRUCTIONS

### READ ALL INSTRUCTIONS.

1. **Keep your work area clean and well lit.** Cluttered benches and dark areas invite accidents.
2. **Do not operate power tools in explosive atmospheres, such as in the presence of flammable liquids, gases, or dust.** Power tools create sparks which may ignite the dust or fumes.
3. **Keep bystanders, children, and visitors away while operating a power tool.** Distractions can cause you to lose control.
4. **Double Insulated tools are equipped with a polarized plug (one blade is wider than the other.) This plug will fit in a polarized outlet only one way. If the plug does not fit fully in the outlet, reverse the plug. If it still does not fit, contact a qualified electrician to install a polarized outlet. Do not change the plug in any way.** Double insulation  eliminates the need for the three wire grounded power cord and grounded power supply system.
5. **Avoid body contact with grounded surfaces such as pipes, radiators, ranges and refrigerators.** There is an increased risk of electric shock if your body is grounded.
6. **Don't expose power tools to rain or wet conditions.** Water entering a power tool will increase the risk of electric shock.
7. **Do not abuse the cord. Never use the cord to carry the tools or pull the plug from an outlet. Keep cord away from heat, oil, sharp edges or moving parts. Replace damaged cords immediately.** Damaged cords increase the risk of electric shock.
8. **When operating a power tool outside, use an outdoor extension cord marked "W-A" or "W."** These cords are rated for outdoor use and reduce the risk of electric shock.
9. **Stay alert, watch what you are doing and use common sense when operating a power tool. Do not use tool while tired or under the influence of drugs, alcohol, or medication.** A moment of inattention while operating power tools may result in serious personal injury.
10. **Dress properly. Do not wear loose clothing or jewelry. Contain long hair. Keep your hair, clothing, and gloves away from moving parts.** Loose clothes, jewelry or long hair can be caught in moving parts.

11. **Avoid accidental starting. Be sure switch is off before plugging in.** Carrying tools with your finger on the switch or plugging in tools that have the switch on invites accidents.
12. **Remove adjusting keys or switches before turning the tool on.** A wrench or a key that is left attached to a rotating part of the tool may result in personal injury.
13. **Do not overreach. Keep proper footing and balance at all times.** Proper footing and balance enables better control of the tool in unexpected situations.
14. **Use safety equipment. Always wear eye protection.** Dust mask, non-skid safety shoes, hard hat, or hearing protection must be used for appropriate conditions.
15. **Use clamps or other practical way to secure and support the workpiece to a stable platform.** Holding the work by hand or against your body is unstable and may lead to loss of control.
16. **Do not force tool. Use the correct tool for your application.** The correct tool will do the job better and safer at the rate for which it is designed.
17. **Do not use tool if switch does not turn it on or off.** Any tool that cannot be controlled with the switch is dangerous and must be repaired.
18. **Disconnect the plug from the power source before making any adjustments, changing accessories, or storing the tool.** Such preventive safety measures reduce the risk of starting the tool accidentally.
19. **Store idle tools out of reach of children and other untrained persons.** Tools are dangerous in the hands of untrained users.
20. **Maintain tools with care. Keep cutting tools sharp and clean.** Properly maintained tools, with sharp cutting edges are less likely to bind and are easier to control.
21. **Check for misalignment or binding of moving parts, breakage of parts, and any other condition that may affect the tools operation. If damaged, have the tool service before using.** Many accidents are caused by poorly maintained tools.
22. **Use only accessories that are recommended by the manufacturer for your model.** Accessories that may be suitable for one tool, may become hazardous when used on another tool.
23. **Tool service must be performed only by qualified repair personnel.** Service or maintenance performed by unqualified personnel could result in a risk of injury.
24. **When servicing a tool, use only identical replacement parts. Follow instructions in the Maintenance section of this manual.** Use of unauthorized parts or failure to follow Maintenance Instructions may create a risk of electric shock of injury.

## **ADDITIONAL SAFETY RULES**

- 1. Avoid cutting nails. Inspect for and remove all nails from the workpiece before operation.**
- 2. Don't cut hollow pipe.**
- 3. Do not cut oversize workpiece.**
- 4. Check for the proper clearance beneath the workpiece before cutting so that the blade will not strike the floor, workbench, etc.**
- 5. Always wear eye protection conforming with current national standard. Severe eye injury could result.**
- 6. Hold the tool firmly.**
- 7. Make sure cord is out of your way and not in the line of cut.**
- 8. Make sure the blade is not contacting the workpiece before the switch is turned on.**
- 9. Keep hands away from moving parts.**
- 10. When cutting through walls, floors or wherever "live" electrical wires may be encountered, DO NOT TOUCH ANY METAL PARTS OF THE TOOL! Hold the tool only by the insulated grasping surfaces to prevent electric shock if you cut through a "live" wire.**
- 11. Do not leave the tool running. Operate the tool only when hand-held.**
- 12. Always switch off and wait for the blade to come to a complete stop before removing the blade from the workpiece.**
- 13. Do not touch the blade or the workpiece immediately after operation; they may be extremely hot and could burn your skin.**

# **SYMBOLS**

The followings show the symbols used for tool.

V ..... volts

A ..... amperes

Hz ..... hertz

kg ..... kilograms

h ..... hours

min ..... minutes

s ..... seconds

 ..... alternating current


 ..... direct current

$n_0$  ..... no load speed

 ..... alternating or direct current

 ..... Class II Construction

 ..... splash-proof construction

 ..... watertight construction

.../min ..... revolutions or reciprocation per minute

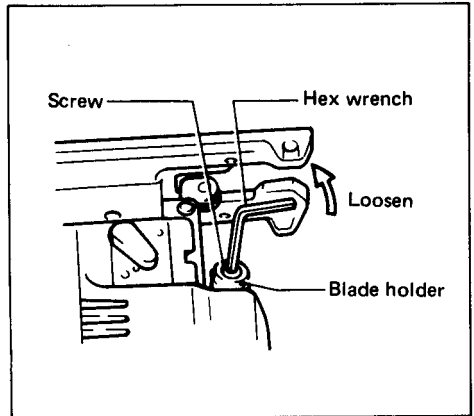
 ..... number of blow

## Installing or removing the saw blade

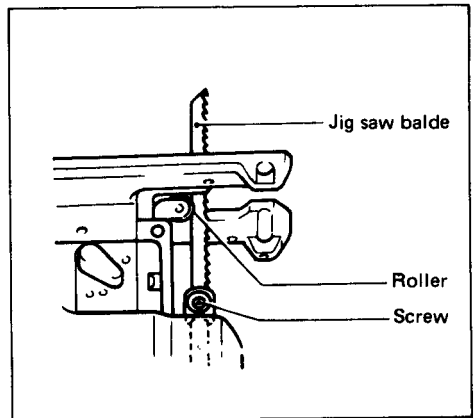
### CAUTION:

Always be sure that the tool is switched off and unplugged before installing or removing the blade.

To install the blade, loosen the screw on the blade holder.



With the blade teeth facing forward, insert the blade into the blade holder as far as it will go. Make sure that the back edge of the blade fits properly in the groove of the roller. Then firmly tighten the screw to secure the blade.



### CAUTION:

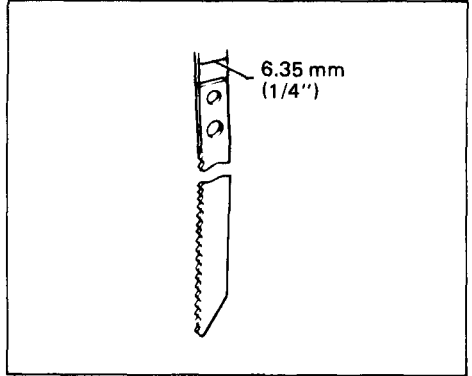
- Always secure the blade firmly. Insufficient securing of the blade may cause blade breakage or serious injury.
- Always clean out the blade holder before installing the blade. Chips or foreign matter on the blade holder may cause insufficient securing of the blade.
- Use a lubricant or cutting oil between the blade and roller when cutting iron or composition board, etc. Failure to do so will shorten the service life of your blade and roller or lead to potentially dangerous blade breakage.

### Installing the universal shank jig saw blade

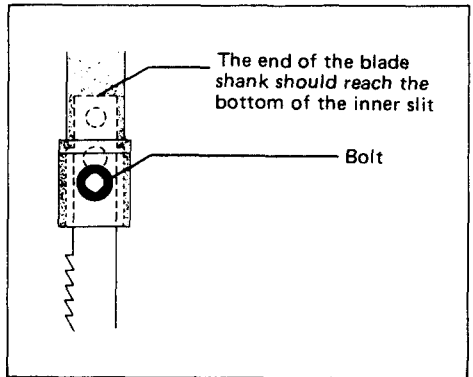
#### CAUTION:

Always be sure that the tool is switched off and unplugged before installing or removing the blade.

If the universal blade clamp is used, you can use blades of other makes which have a universal shank like the one shown in the figure, with a blade width of 6.35 mm (1/4").

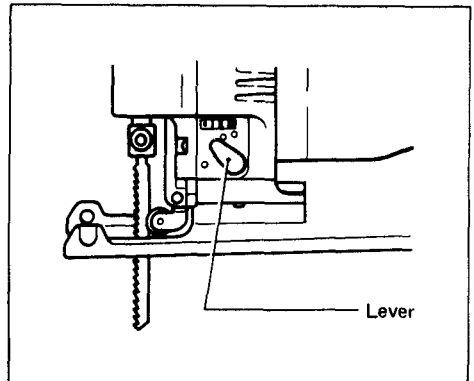


Insert the blade into the blade holder as far as it will go. Make sure that the end of the blade shank reaches the bottom of the inner slit and tighten the bolt securely with the hex wrench.



### Selecting the cutting action

This tool can be operated with an orbital or a straight line cutting action. To change the cutting action, just turn the lever to the desired cutting action position. Refer to the table below to help determine the appropriate cutting action.



Position	Cutting action	Applications
0	Straight line cutting action	For cutting mild steel, stainless steel and plastics. For clean cuts in wood and plywood.
I	Small orbit cutting action	For cutting mild steel, aluminum and hard wood.
II	Medium orbit cutting action	For cutting wood and plywood. For fast cutting in aluminum and mild steel.
III	Large orbit cutting action	For fast cutting in wood and plywood.

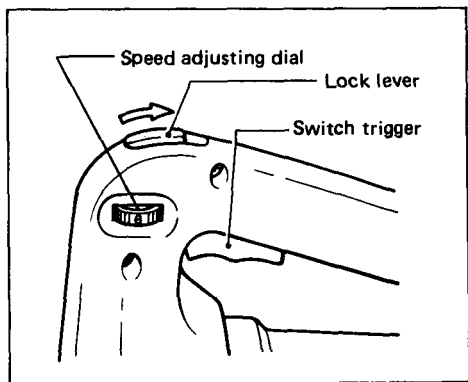
### Switch action

For 4304

#### CAUTION:

Before plugging in the tool, always check to see that the switch trigger actuates properly and returns to the "OFF" position when released.

To start the tool, simply pull the trigger. Release the trigger to stop. For continuous operation, pull the trigger and move the lock lever backward. To stop the tool from the locked position, pull the trigger fully, then release it.

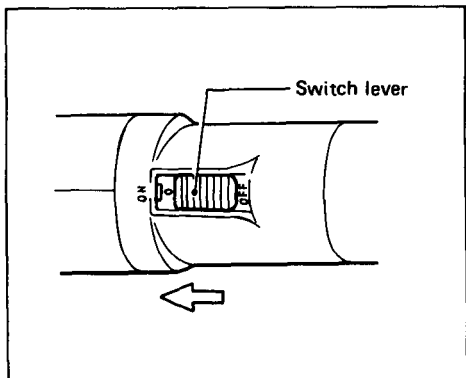


For 4305

#### CAUTION:

Before plugging in the tool, always check to see that the switch actuates properly.

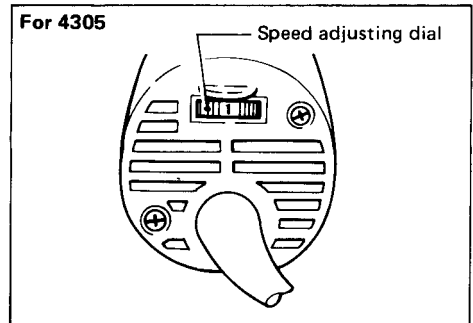
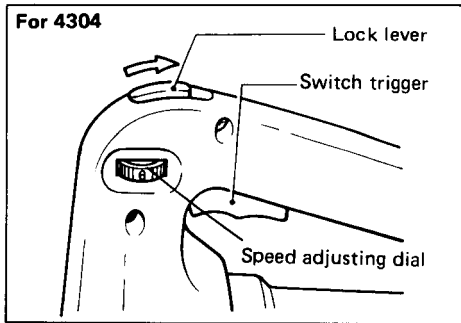
To start the tool, slide the switch lever forward. Slide the switch lever backward to stop.





## Speed adjusting dial

The tool speed can be adjusted and maintained between 500 and 3,000 strokes per minute by turning the adjusting dial. The dial is marked 1 (lowest speed) to 6 (full speed).



Refer to the table at right to select the proper speed for the workpiece to be cut. However, the appropriate speed may differ with the type or thickness of the workpiece. In general, higher speeds will allow you to cut workpieces faster but the service life of the blade will be reduced.

Workpiece to be cut	Number on adjusting dial
Wood	5 – 6
Mild steel	3 – 6
Stainless steel	3 – 4
Aluminum	2 – 3
Plastics	1 – 4

### CAUTION:

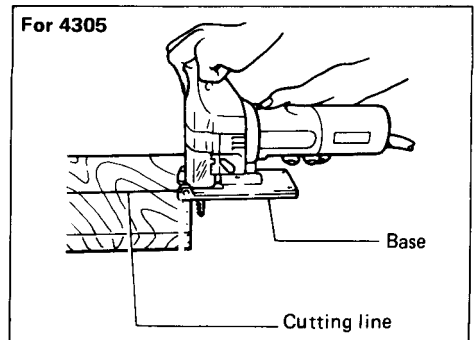
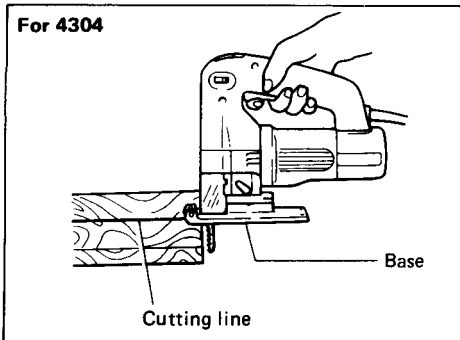
Adjust the speed adjusting dial only within the range of numbers 1 through 6. Do not force the dial beyond this range or damage to the tool may result.

### Cutting operation

#### CAUTION:

Check carefully that the blade is adequately secured in position before plugging the tool into electrical source.

Turn the tool on without the blade making any contact. Rest the base flat on the workpiece and gently move the tool forward along the previously marked cutting line.



**CAUTION:**

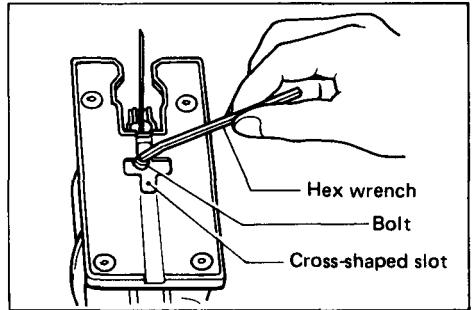
- Always hold the tool with the base flush with the workpiece. Failure to do so may cause a slanted cutting surface and blade breakage.
- Advance the tool very slowly when cutting curves or scrolling. Forcing the tool may cause a slanted cutting surface and blade breakage.

**Bevel cutting**

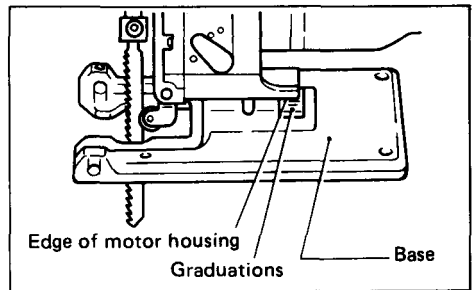
**CAUTION:**

Always unplug the tool before making any adjustments.

With the base tilted, you can make bevel cuts at any angle between 0° and 45° (left or right). Loosen the bolt on the bottom of the tool. Move the base so that the bolt is positioned in the center of the cross-shaped slot in the base.

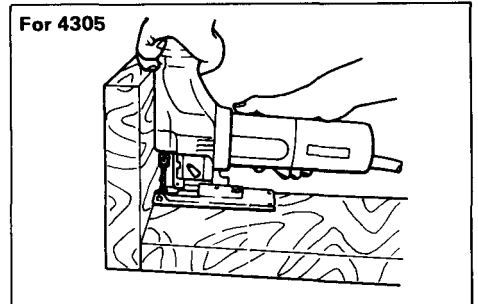
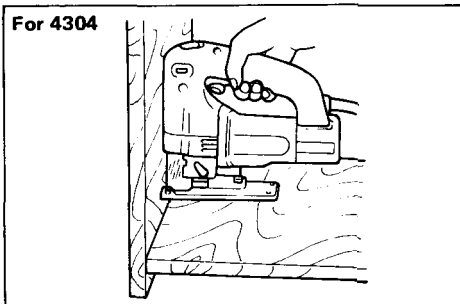


Tilt the base until the desired bevel angle is obtained. The edge of the motor housing indicates the bevel angle by graduations. Then tighten the bolt to secure the base.



**Flush cutting**

Loosen the bolt on the bottom of the tool and slide the base all the way back. Then tighten the bolt to secure the base.

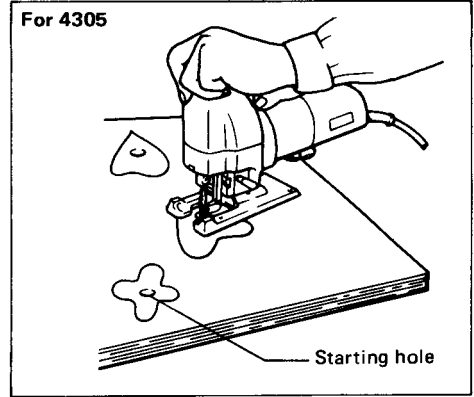
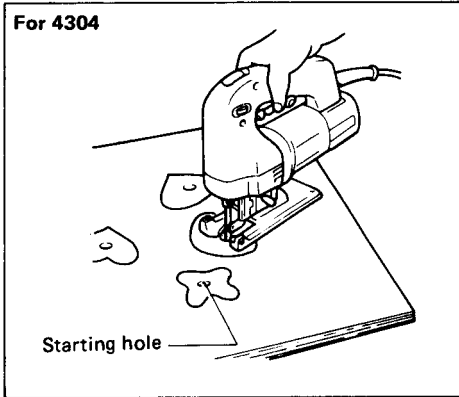


## Cutouts

Cutouts can be made with either of two methods A or B.

### A) Boring a starting hole:

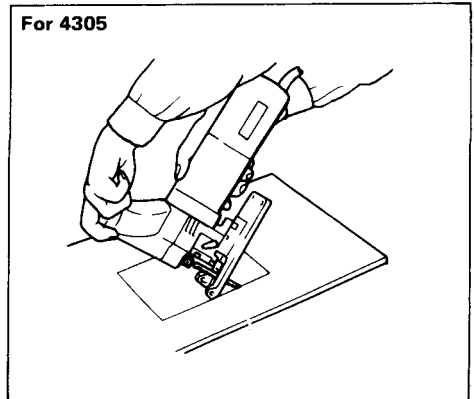
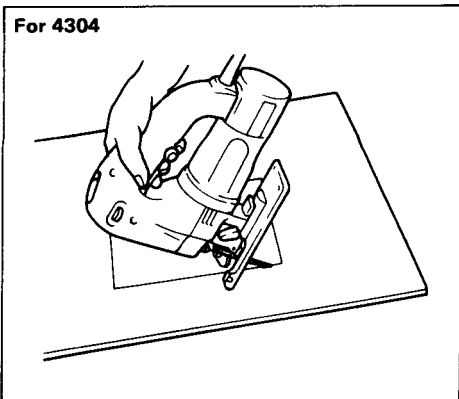
For internal cutouts without a lead-in cut from an edge, pre-drill starting hole more than 12 mm (15/32") in diameter. Insert the blade into this hole and hold the tool firmly against the workpiece to start your cut.



### B) Plung cutting

You need not bore a starting hole or make a lead-in cut if you carefully do as follows:

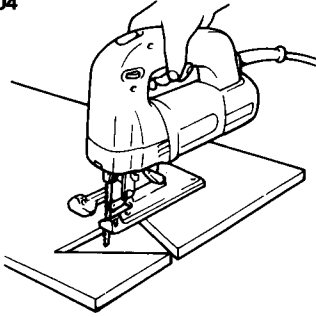
1. Tilt the tool up on the front edge of the base, with the blade point positioned just above the workpiece surface.
2. Apply firm pressure to the tool so that the front edge of the base will not move when you switch on the tool and gently lower the back end of the tool slowly.
3. As the blade slices into the workpiece, slowly lower the base of the tool down onto the workpiece surface.
4. Complete the cut in the normal manner.



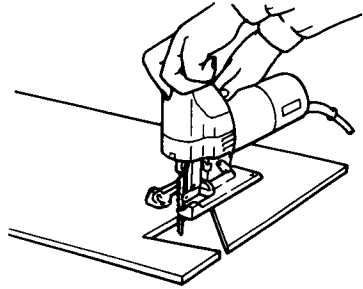
### Finishing edges

To trim edges or make slight dimensional adjustments, run the blade lightly along the cut edges.

For 4304



For 4305

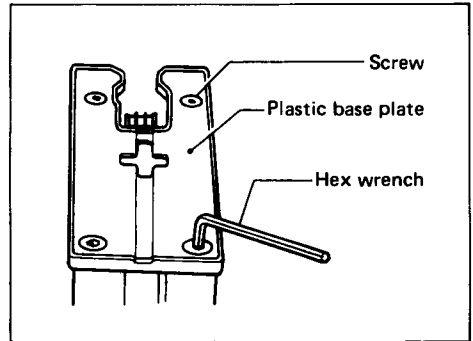


### Metal cutting

Always use a suitable coolant (cutting oil) when cutting metal. Failure to do so will cause significant blade wear. The underside of the workpiece can be greased instead of using a coolant.

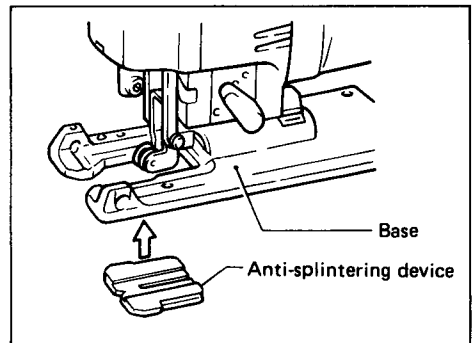
### Plastic base plate

Use the plastic base plate when cutting decorative veneers, plastics, etc. It protects sensitive or delicate surfaces from damage. To replace the base plate, remove the four screws with the hex wrench.



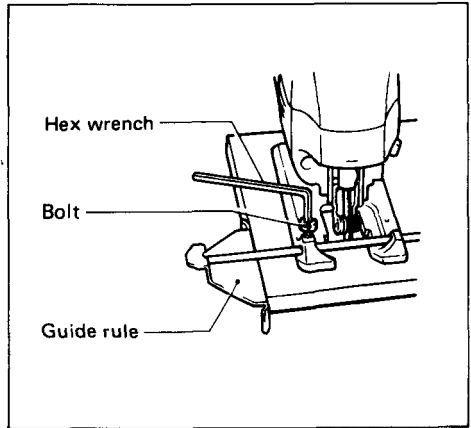
### Anti-splintering device

To reduce the potential for workpiece surface splintering, the anti-splintering device can be used. Fit it into the base from below so that it surrounds the sides of the blade.



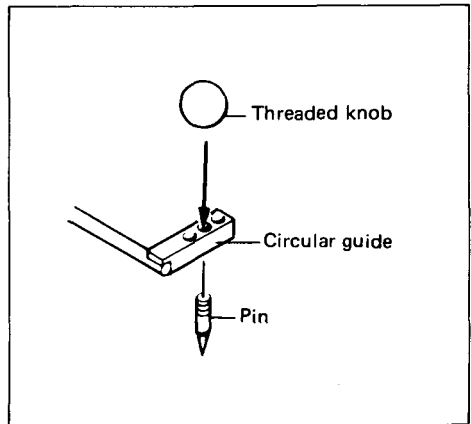
**Guide rule (rip fence; optional accessory)**

When cutting widths of under 150 mm (5-29/32") repeatedly, use of the guide rule will assure fast, clean, straight cuts. To install it, loosen the bolt on the front of the base. Slip in the guide rule and secure the bolt.



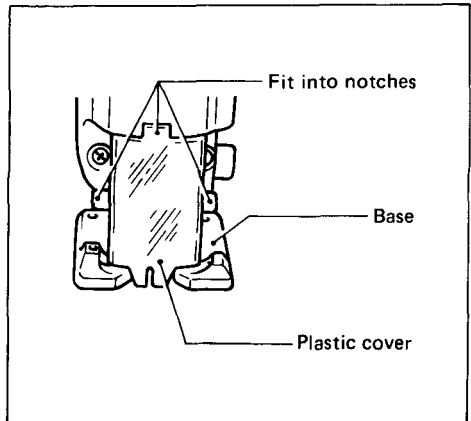
**Circular guide (optional accessory)**

Use of the circular guide insures clean, smooth cutting of circles under 200 mm (7-7/8") in radius. Insert the pin through the center hole and secure it with the threaded knob. Move the base of the tool fully forward. Then install the circular guide on the base in the same manner as the guide rule (rip fence).

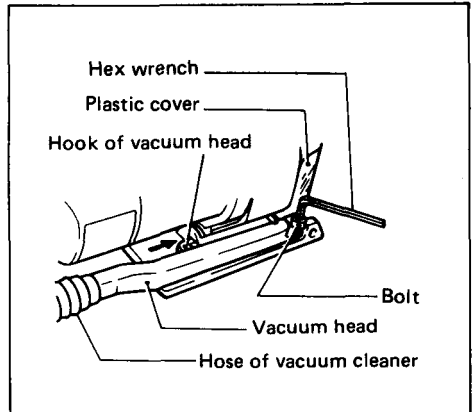


**Vacuum head (optional accessory)**

The vacuum head is recommended to perform clean cutting operations. Install the plastic cover on the tool by fitting it into the notches in the tool.



To attach the vacuum head on the tool, insert the hook of the vacuum head into the hole in the base. Tighten the bolt to secure the vacuum head. Then connect a Makita vacuum cleaner to the vacuum head.



## MAINTENANCE

### CAUTION:

Always be sure that the tool is switched off and unplugged before attempting to perform inspection or maintenance.

To maintain product **SAFETY** and **RELIABILITY**, repairs, carbon brush inspection and replacement, any other maintenance or adjustment should be performed by Makita Authorized or Factory Service Centers, always using Makita replacement parts.

# ACCESSORIES

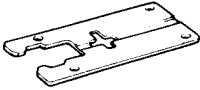
## CAUTION:

These accessories or attachments are recommended for use with your Makita tool specified in this manual. The use of any other accessories or attachments might present a risk of injury to persons. The accessories or attachments should be used only in the proper and intended manner.

An exception: Universal shank jig saw blades with a thickness of 1 mm — 1.25 mm (1/32" — 3/64") and a length of 58 mm — 82 mm (2-9/32" — 3-7/32").

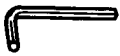
- **Plastic base plate**

Part No. 415537-8



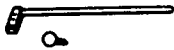
- **Hex wrench 3**

Part No. 783201-2



- **Circular guide assembly**

Part No. 123030-5



- **Vacuum head**

Part No. 192418-0



- **Jig saw blade (Packed 5 each)**

Blade type	Part No.	Teeth per inch	Effective cutting blade length
No. 51	792428-3	24	65 mm (2-1/2")
No. 58	792429-1	8	80 mm (3-1/8")
No. 59	792430-6	8	80 mm (3-1/8")
No. B-10	792529-7	9	80 mm (3-1/8")
No. B-11	792463-1	9	75 mm (3")
No. B-12	792464-9	6	80 mm (3-1/8")
No. B-13	792465-7	8	80 mm (3-1/8")
No. B-14	792466-5	18	50 mm (2")
No. B-15	792467-3	12	50 mm (2")
No. B-16	792468-1	6	80 mm (3-1/8")
No. B-17	792469-9	6	70 mm (2-3/4")

(Note)

Refer to the next page for "Application" of each blade.

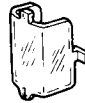
- **Anti-splintering device**

Part No. 415524-7



- **Plastic cover**

Part No. 415525-5



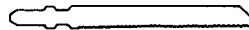
- **Guide rule**

Part No. 164113-2



- **Hose 19 - 2.5**

Part No. 192108-5



Blade type	Part No.	Teeth per inch	Effective cutting blade length
No. B-18	792470-4	14	45 mm (1-3/4")
No. B-19	792471-2	12	65 mm (2-1/2")
No. B-21	792472-0	12	75 mm (3")
No. B-22	792473-8	24	50 mm (2")
No. B-23	792474-6	14	50 mm (2")
No. B-24	792475-4	32	50 mm (2")
No. B-25	792476-2	9	75 mm (3")
No. B-26	792477-0	9	70 mm (2-3/4")
No. B-27	792478-8	24	50 mm (2")
No. BR-13	792727-3	9	64 mm (2-1/2")
No. B-16L	792726-5	6	150 mm (5-7/8")

• Jig saw blade

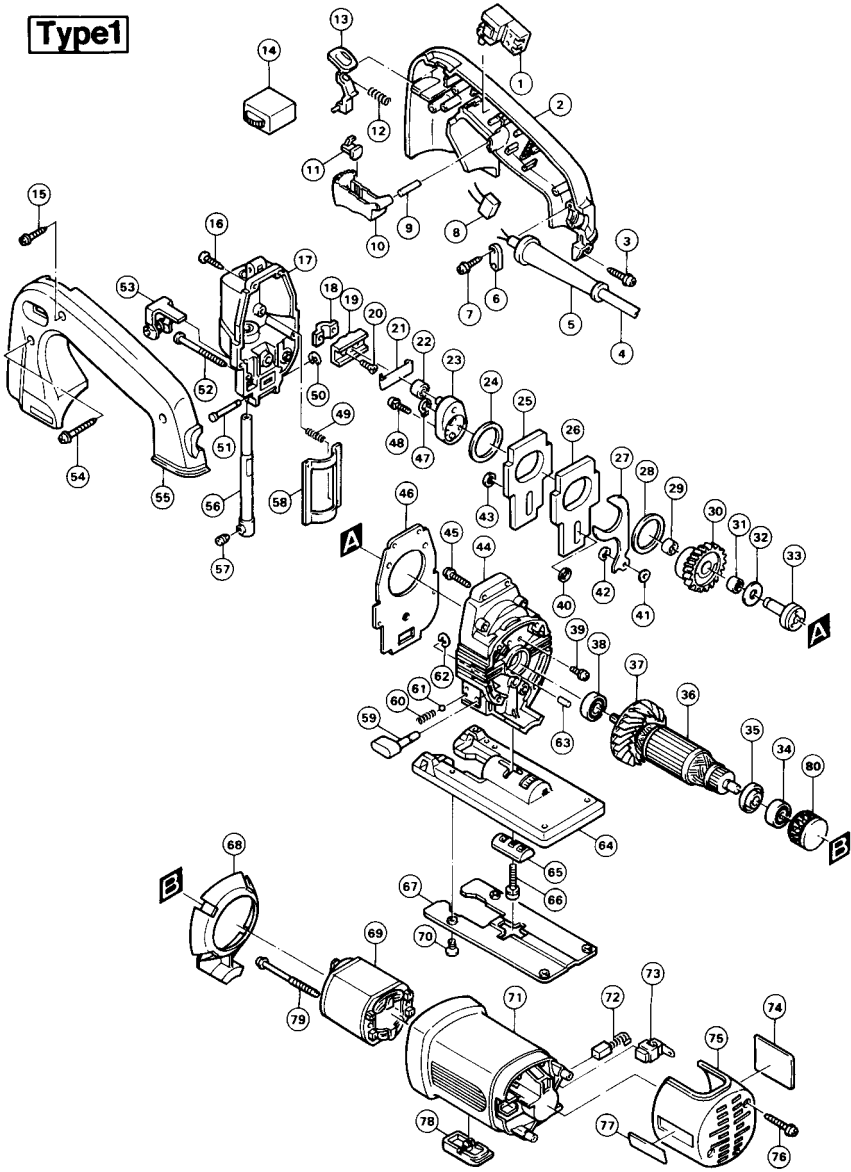
Blade type	Application				
	Wood and plywood	Plastics	Aluminum	Mild steel	Feature
No. 51	—	1.5 – 3 mm thick (1/16" – 1/8") H	1 – 6 mm thick (3/64" – 1/4")	1 – 3 mm thick (3/64" – 1/8")	Also ideal for cutting stainless steel.
No. 58	4 – 60 mm thick (5/32" – 2-3/8")	4 – 60 mm thick (5/32" – 2-3/8") S	—	—	For fast cutting.
No. 59	4 – 30 mm thick (5/32" – 1-1/8")	4 – 30 mm thick (5/32" – 1-1/8") S	—	—	For fast finish work.
No. B – 10	3 – 60 mm thick (1/8" – 2-3/8")	3 – 60 mm thick (1/8" – 2-3/8") S	—	—	For fast finish work, especially in plywood.
No. B – 11	3 – 30 mm thick (1/8" – 1-1/8")	3 – 50 mm thick (1/8" – 2") S	—	—	For fast finish work.
No. B – 12	5 – 60 mm thick (13/64" – 2-3/8")	5 – 60 mm thick (13/64" – 2-3/8") S	—	—	For fast finish work.
No. B – 13	4 – 60 mm thick (5/32" – 2-3/8")	4 – 60 mm thick (5/32" – 2-3/8") S	—	—	For roughing-in work.
No. B – 14	2 – 30 mm thick (5/64" – 1-1/8")	2 – 30 mm thick (5/64" – 1-1/8") H	—	—	Ideal for cutting thin materials.
No. B – 15	3 – 30 mm thick (1/8" – 1-1/8")	3 – 30 mm thick (1/8" – 1-1/8") H	—	—	Ideal for cutting thin materials.
No. B – 16	5 – 60 mm thick (13/64" – 2-3/8")	5 – 60 mm thick (13/64" – 2-3/8") S	—	—	For fast cutting.
No. B – 17	5 – 60 mm thick (13/64" – 2-3/8")	5 – 60 mm thick (13/64" – 2-3/8") S	—	—	Ideal for scroll cutting.
No. B – 18	2 – 30 mm thick (5/64" – 1-1/8")	2 – 30 mm thick (5/64" – 1-1/8") S	—	—	Ideal for scroll cutting.
No. B – 19	3 – 30 mm thick (1/8" – 1-1/8")	3 – 30 mm thick (1/8" – 1-1/8") H	—	—	Cuts on down stroke. Splinter-free on finish side.
No. B – 21	—	3 – 55 mm thick (1/8" – 2-1/8") H	3 – 10 mm thick (1/8" – 3/8")	—	For finish work, especially in plastics.
No. B – 22	—	1.5 – 3 mm thick (1/16" – 1/8") H	1 – 6 mm thick (3/64" – 1/4")	1 – 3 mm thick (3/64" – 1/8")	Also ideal for cutting stainless steel.
No. B – 23	—	3 – 6 mm thick (1/8" – 1/4") H	3 – 10 mm thick (1/8" – 3/8")	3 – 6 mm thick (1/8" – 1/4")	Also ideal for cutting stainless steel.
No. B – 24	—	1 – 3 mm thick (3/64" – 1/8") H	0.5 – 3 mm thick (1/64" – 1/8")	0.5 – 2 mm thick (1/64" – 5/64")	Also ideal for cutting stainless steel.
No. B – 25	3 – 55 mm thick (1/8" – 2-1/8") H	3 – 55 mm thick (1/8" – 2-1/8") H	3 – 30 mm thick (1/8" – 1-1/8")	3 – 10 mm thick (1/8" – 3/8")	Ideal for cutting thick materials.
No. B – 26	3 – 55 mm thick (1/8" – 2-1/8") H	3 – 55 mm thick (1/8" – 2-1/8") H	3 – 30 mm thick (1/8" – 1-1/8")	3 – 10 mm thick (1/8" – 3/8")	Ideal for scroll cutting.
No. B – 27	—	1.5 – 3 mm thick (1/16" – 1/8") H	1 – 6 mm thick (3/64" – 1/4")	1 – 3 mm thick (3/64" – 1/8")	Ideal for scroll cutting.
No. BR – 13	5 – 60 mm thick (13/64" – 2-3/8")	—	—	—	Splinter-free cuts in wood, requiring no sanding.
No. B – 16L	5 – 110 mm thick (13/64" – 4-5/16")	5 – 110 mm thick (13/64" – 4-5/16")	—	—	Ideal for cutting thick materials.

NOTE:  
 "H" stands for hard materials  
 "S" stands for soft materials



# JIG SAW Model 4304

**Type1**



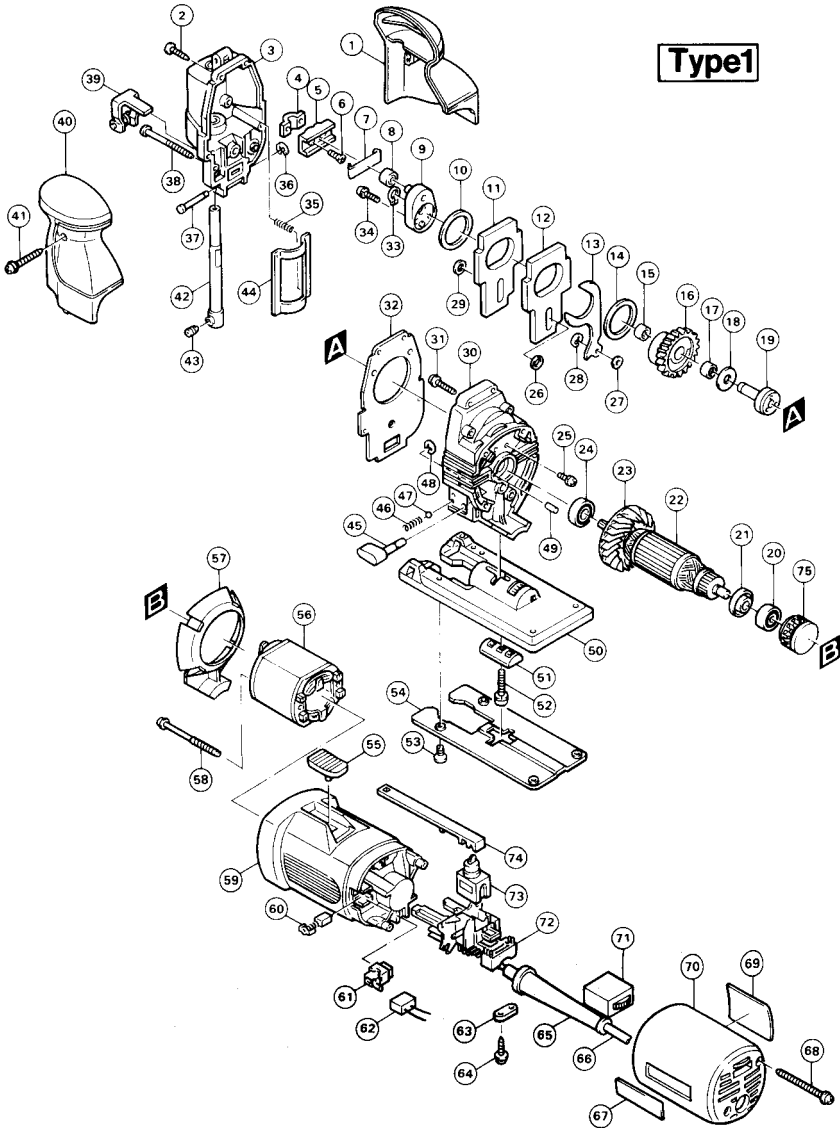
Note: The switch, noise suppressor and other part configurations may differ from country to country.

ITEM NO.	NO. USED	DESCRIPTION	ITEM NO.	NO. USED	DESCRIPTION
<b>MACHINE</b>			<b>MACHINE</b>		
1	1	Switch	41	1	Flat Washer 5
2	1	Handle Set (With Item 55)	42	1	Stop Ring E-4
3	1	Tapping Screw Flange PT 4x20	43	1	Flat Washer 6
4	1	Cord	44	1	Gear Housing Complete (With Item 63)
5	1	Cord Guard	45	2	Tapping Screw Flange PT 4x20
6	1	Strain Relief	46	1	Packing
7	2	Tapping Screw 4x18	47	1	Retaining Ring S-8
9	1	Pin 3	48	2	Pan Head Screw M4x16 (With Washer)
10	1	Switch Lever	49	2	Compression Spring 4
11	1	Spacer	50	1	Stop Ring E-3
12	1	Compression Spring 4	51	1	Pin 4
13	1	Lock-On Lever	52	2	Tapping Screw Bind MT 4x55
14	1	Controller	53	1	Retainer Complete
15	2	Tapping Screw Flange PT 4x20	54	1	Tapping Screw Flange PT 4x35
16	2	Tapping Screw CT 4x16	55	1	Handle Set (With Item 2)
17	1	Gear Housing Cover Complete	56	1	Rod
18	1	Holder	57	1	Hex. Socket Head Bolt M6x8
19	1	Slider	58	1	Slide Plate
20	2	Countersunk Head Screw M4x10	59	1	Lever 17
21	1	Thrust Plate	60	1	Compression Spring 4
22	1	Needle Bearing 607	61	1	Steel Ball 4
23	1	Crank Complete	62	1	Stop Ring E-5
24	1	Flat Washer 26	63	1	Rubber Pin 4
25	1	Balance Plate	64	1	Base
26	1	Balance Plate	65	1	Clamp Plate
27	1	Push Plate	66	1	Hex. Socket Head Bolt M4x25
28	1	Flat Washer 26	67	1	Base Plate
29	1	Needle Bearing 810	68	1	Baffle Plate
30	1	Helical Gear 51	69	1	Field
31	1	Needle Bearing 810	70	4	Hex. Socket Head Bolt M5x8
32	1	Flat Washer 8	71	1	Motor Housing
33	1	Gear Shaft	72	2	Carbon Brush
34	1	Ball Bearing 607LLB	73	2	Brush Holder
35	1	Insulation Washer	74	1	Name Plate
36	1	ARMATURE ASSEMBLY (With Item 34, 35, 37 & 38)	75	1	Rear Cover
37	1	Fan 54	76	2	Tapping Screw Flange PT 4x30
38	1	Ball Bearing 608LLB	77	1	Makita Label
39	3	Pan Head Screw M4x10 (With Washer)	78	1	Cap
40	1	Flat Washer 6	79	2	Tapping Screw Flange PT 4x60
			80	1	Rubber Ring 19

Note: The switch and other part specifications may differ from country to country.

# JIG SAW Model 4305

**Type1**



Note: The switch, noise suppressor and other part configurations may differ from country to country.

AMERICA

ITEM NO.	NO. USED	DESCRIPTION	ITEM NO.	NO. USED	DESCRIPTION
<b>MACHINE</b>			<b>MACHINE</b>		
1	1	Head Cover Set (With Item 40)	38	2	Tapping Screw Blind MT 4x55
2	2	Tapping Screw CT 4x16	39	1	Retainer Complete
3	1	Gear Housing Cover Complete	40	1	Head Cover Set (With Item 1)
4	1	Holder	41	1	Tapping Screw Flange PT 4x35
5	1	Slider	42	1	Rod
6	2	Countersunk Head Screw M4x10	43	1	Hex. Socket Head Bolt M5x8
7	1	Thrust Plate	44	1	Slide Plate
8	1	Needle Bearing 607	45	1	Lever 17
9	1	Crank Complete	46	1	Compression Spring 4
10	1	Flat Washer 26	47	1	Steel Ball 4
11	1	Balance Plate	48	1	Stop Ring E-5
12	1	Balance Plate	49	1	Rubber Pin 4
13	1	Push Plate	50	1	Base
14	1	Flat Washer 26	51	1	Clamp Plate
15	1	Needle Bearing 810	52	1	Hex. Socket Head Bolt M4x25
16	1	Helical Gear 51	53	4	Hex. Socket Head Bolt M5x8
17	1	Needle Bearing 810	54	1	Base Plate
18	1	Flat Washer 8	55	1	Switch Lever
19	1	Gear Shaft	56	1	Field
20	1	Ball Bearing 607LLB	57	1	Baffle Plate
21	1	Insulation Washer	58	2	Tapping Screw Flange PT 4x60
22	1	ARMA-TURE ASSEMBLY (With Item 20, 21, 23 & 24)	59	1	Motor Housing
23	1	Fan 54	60	2	Carbon Brush
24	1	Ball Bearing 608LLB	61	2	Brush Holder
25	3	Pan Head Screw M4x10 (With Washer)	63	1	Strain Relief
26	1	Flat Washer 6	64	2	Tapping Screw 4x18
27	1	Flat Washer 6	65	1	Cord Guard
28	1	Stop Ring E-4	66	1	Cord
29	1	Flat Washer 6	67	1	Makita Label
30	1	Gear-Housing Complete (With Item 49)	68	2	Tapping Screw Flange PT 4x60
31	2	Tapping Screw Flange PT 4x20	69	1	Name Plate
32	1	Packing	70	1	Rear Cover
33	1	Retaining Ring S-9	71	1	Controller
34	2	Pan Head Screw M4x16 (With Washer)	72	1	Support
35	2	Compression Spring 4	73	1	Switch
36	1	Stop Ring E-3	74	1	Switch Rod
37	1	Pin 4	75	1	Rubber Ring 19

Note: The switch and other part specifications may differ from country to country.

## MAKITA LIMITED ONE YEAR WARRANTY

### Warranty Policy

Every Makita tool is thoroughly inspected and tested before leaving the factory. It is warranted to be free of defects from workmanship and materials for the period of ONE YEAR from the date of original purchase. Should any trouble develop during this one-year period, return the COMPLETE tool, freight prepaid, to one of Makita's Factory or Authorized Service Centers. If inspection shows the trouble is caused by defective workmanship or material, Makita will repair (or at our option, replace) without charge.

This Warranty does not apply where:

- repairs have been made or attempted by others;
- repairs are required because of normal wear and tear;
- The tool has been abused, misused or improperly maintained;
- alterations have been made to the tool.

IN NO EVENT SHALL MAKITA BE LIABLE FOR ANY INDIRECT, INCIDENTAL OR CONSEQUENTIAL DAMAGES FROM THE SALE OR USE OF THE PRODUCT. THIS DISCLAIMER APPLIES BOTH DURING AND AFTER THE TERM OF THIS WARRANTY.

MAKITA DISCLAIMS LIABILITY FOR ANY IMPLIED WARRANTIES, INCLUDING IMPLIED WARRANTIES OF "MERCHANTABILITY" AND "FITNESS FOR A SPECIFIC PURPOSE," AFTER THE ONE-YEAR TERM OF THIS WARRANTY.

This Warranty gives you specific legal rights, and you may also have other rights which vary from state to state. Some states do not allow the exclusion or limitation of incidental or consequential damages, so the above limitation or exclusion may not apply to you. Some states do not allow limitation on how long an implied warranty lasts, so the above limitation may not apply to you.



MAKITA MANUFACTURING EUROPE LTD  
ROAD 7, HORTONWOOD INDUSTRIAL ESTATE  
TELFORD, SHROPSHIRE TF1 4GP ENGLAND

Part No. 883923-067